

SPECIFICATION : -

- a) End Flange and Centre Sleeve : Rolled Steel To BS EN 10025 S275 (BS 4360 Grade 43A) or equivalent
- b) Finishing : Fusion Bonded Epoxy Powder Coated 300 microns thk
- c) Bolts, nuts & washers : Stainless Steel SS 316
- d) Sealing ring : NBR To BS EN 681-1 : 1996 Type 'WA'
- d) Working Pressure : 16 Bar

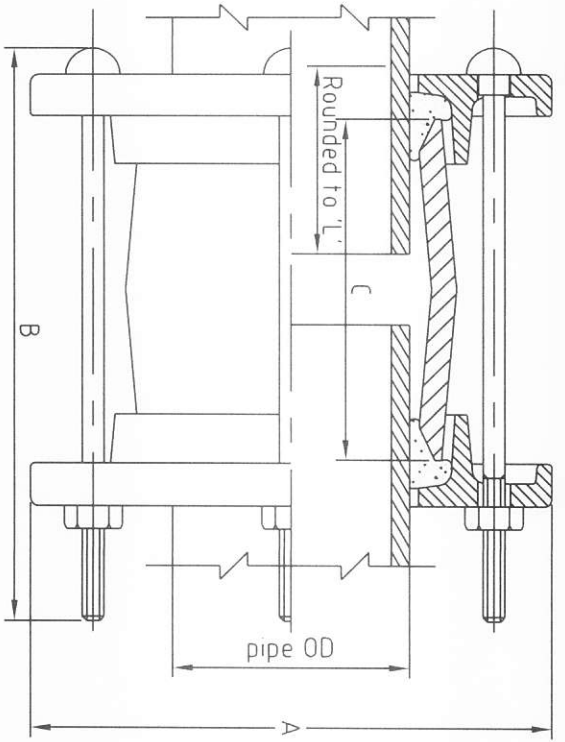
DN	OD	TOL ON OD FOR LGTH L	L	A	B	SLEEVE C x AV THK	BOLTS		VOLUME (M3)	WEIGHT (KG)
							NO	DIA x LGTH		
300	326	±1.6	200	423	339	250 x 8	6	M12 x 330	0.061	28.7
350	378	±1.6	200	475	339	250 x 8	8	M12 x 330	0.077	33.3
400	429	±1.6	200	526	339	250 x 8	8	M12 x 330	0.095	37.2
450	480	±1.6	200	577	339	250 x 8	8	M12 x 330	0.114	41.1
500	532	±1.6	200	629	339	250 x 8	10	M12 x 330	0.135	45.7
600	610	±1.6	200	707	339	250 x 8	10	M12 x 330	0.171	51.6
600	635	±1.6	200	732	339	250 x 8	12	M12 x 330	0.183	54.2



PIPEMATE SDN BHD

MALAYSIA
 TEL : 603-61380977 FAX : 603-61388772
 email : pipemate@tm.net.my
 pipemate@streamyx.com

CLIENT :		TITLE : 'PM' COUPLING	
PROJECT :		DRAWN BY : YC SEE	CHECKED BY : KH LEE
		DRG NO : PM/MC/7198/12	REV : 0
		APPROVED BY : KH LEE	SCALE : NTS



SPECIFICATION : -

- a) End Flange and Centre Sleeve : Rolled Steel To BS EN 10025 S275 (BS 4360 Grade 43A) or equivalent
- b) Finishing : Fusion Bonded Epoxy Powder Coated 300 microns thk
- c) Bolts, nuts & washers : Stainless Steel SS 316
- d) Sealing ring : NBR To BS EN 681-1 : 1996 Type 'WA'
- e) Working Pressure : 16 Bar

DN	OD	TOL ON OD FOR LGTH L	L	A	B	SLEEVE C x AV THK	BOLTS		VOLUME (M3)	WEIGHT (KG)
							NO	DIA x LGTH		
700	738	±1.6	200	839	350	250 x 8	12	M16 x 340	0.248	72.9
750	762	±1.6	200	863	350	250 x 8	12	M16 x 340	0.262	75.0
800	826	±1.6	200	927	350	250 x 8	14	M16 x 340	0.302	81.8
900	965	±1.6	200	1066	350	250 x 9	14	M16 x 340	0.399	99.7



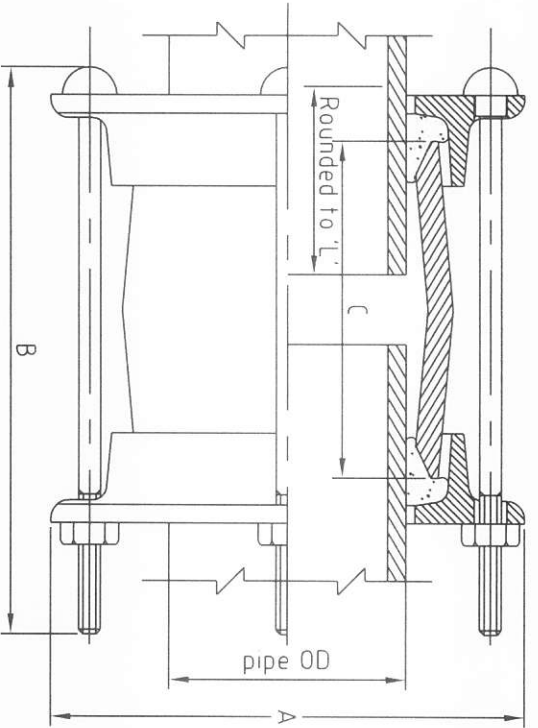
PIPEMATE SDN BHD

MALAYSIA
 TEL : 603-61380977 FAX : 603-61388772
 email : pipemate@tm.net.my
 pipemate@streamyx.com

CLIENT :
 PROJECT :

TITLE : 'PM' COUPLING

DRAWN BY : YC SEE	CHECKED BY : KH LEE	APPROVED BY : KH LEE
DRG NO : PM/NC/7199/12	REV : 0	DATE : 24/07/12
		SCALE : NTS



SPECIFICATION : -

- a) End Flange and Centre Sleeve : Rolled Steel To BS EN 10025 S275 (BS 4360 Grade 43A) or equivalent
- b) Finishing : Fusion Bonded Epoxy Powder Coated 300 microns thk
- c) Bolts, nuts & washers : Stainless Steel SS 316
- d) Sealing ring : NBR To BS EN 681-1 : 1996 Type 'WA'
- d) Working Pressure : 35 Bar

DN	OD	TOL ON OD FOR LGTH L	L	A	B	SLEEVE C x AV THK	BOLTS		VOLUME (M3)	WEIGHT (KG)
							NO	DIA x LGTH		
300	326	±1.6	200	423	339	250 x 8	10	M12 x 330	0.061	30.1
350	378	±1.6	200	475	339	250 x 8	12	M12 x 330	0.077	34.7
400	429	±1.6	200	526	339	250 x 8	12	M12 x 330	0.095	38.6

PIPEMATE SDN BHD

MALAYSIA
 TEL : 603-61380977 FAX : 603-61388772
 email : pipemate@tm.net.my
 pipemate@streamyx.com

CLIENT :

PROJECT :

TITLE : 'PM' COUPLING PN 35

DRAWN BY : YC SEE

CHECKED BY : KH LEE

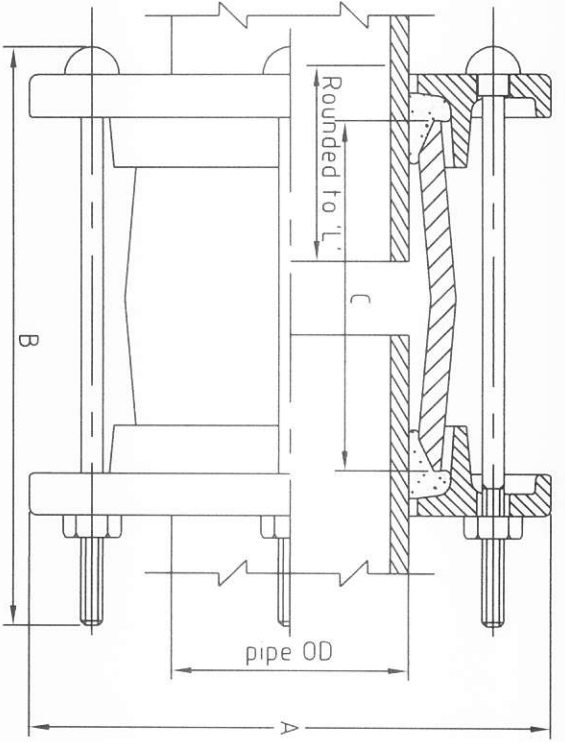
APPROVED BY : KH LEE

DRG NO : PM/MC/7200/12

REV : 0

DATE : 24/07/12

SCALE : NTS



SPECIFICATION : -

- a) End Flange and Centre Sleeve : Rolled Steel To BS EN 10025 S275 (BS 4360 Grade 43A) or equivalent
- b) Finishing : Fusion Bonded Epoxy Powder Coated 300 microns thk
- c) Bolts, nuts & washers : Stainless Steel SS 316
- d) Sealing ring : NBR To BS EN 681-1 : 1996 Type 'WA'
- d) Working Pressure : 35 Bar

DN	OD	TOL ON OD FOR LGTH L	L	A	B	SLEEVE C x AV THK	BOLTS		VOLUME (M3)	WEIGHT (KG)
							NO	DIA x LGTH		
450	480	±1.6	200	581	350	250 x 8	12	M16 x 340	0.119	48.3
500	532	±1.6	200	633	350	250 x 9	12	M16 x 340	0.141	57.5
600	610	±1.6	200	711	350	250 x 9	14	M16 x 340	0.178	64.6
600	635	±1.6	200	736	350	250 x 9	14	M16 x 340	0.191	68.2
700	738	±1.6	200	863	350	250 x 12	14	M16 x 340	0.261	105.6
750	762	±1.6	200	887	350	250 x 12	14	M16 x 340	0.275	108.6
800	826	±1.6	200	951	350	250 x 12	16	M16 x 340	0.317	118.1
900	965	±1.6	200	1090	350	250 x 13	16	M16 x 340	0.416	141.8



PIPEMATE SDN BHD
 MALAYSIA
 TEL : 603-61380977 FAX : 603-61388772
 email : pipemate@im.net.my
 pipemate@streamyx.com

CLIENT :		TITLE : 'PM' COUPLING	
PROJECT :		DRAWN BY : YC SEE	CHECKED BY : KH LEE
		DATE : 24/07/12	SCALE : NTS
		REV : 0	