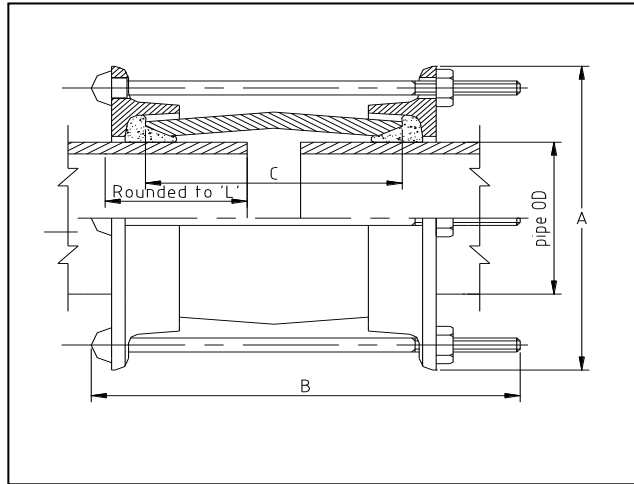
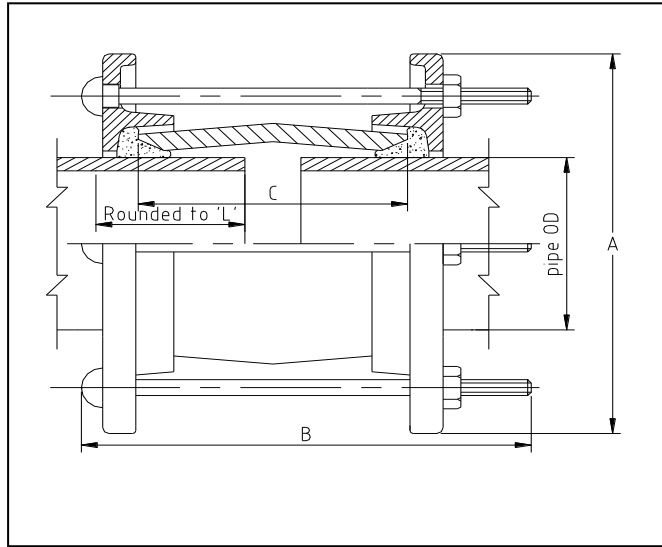


PIPEMATE COUPLING DIMENSIONAL CHART



Size	Pipe OD	Tolerance Length L	L	A	B	Sleeve CxAV Thk	Bolts Number	Dia & Length	Volume (M3)	Weight KG
300nb	324mm	+/-1.6	200	424	339	250 x 8	6	M12 x 330	0.061	28.6
300nb	345mm	+/-1.6	200	445	339	250 x 8	6	M12 x 330	0.067	30.1
300nb	315mm	+/-1.6	200	415	339	250 x 8	6	M12 x 330	0.059	27.9
300nb	334mm	+/-1.6	200	434	339	250 x 8	6	M12 x 330	0.064	29.3
300nb	362mm	+/-1.6	200	462	339	250 x 8	6	M12 x 330	0.073	31.4
350nb	355mm	+/-1.6	200	455	339	250 x 8	6	M12 x 330	0.070	30.9
350nb	399mm	+/-1.6	200	499	339	250 x 8	8	M12 x 330	0.085	34.9
375nb	413mm	+/-1.6	200	513	339	250 x 8	8	M12 x 330	0.089	36.0
375nb	400mm	+/-1.6	200	540	339	250 x 8	8	M12 x 330	0.085	35.0
375nb	426mm	+/-1.6	200	426	339	250 x 8	8	M12 x 330	0.094	37.0
375nb	445mm	+/-1.6	200	545	339	250 x 8	8	M12 x 330	0.101	38.4
400nb	406mm	+/-1.6	200	506	339	250 x 8	8	M12 x 330	0.087	35.5
400nb	450mm	+/-1.6	200	550	339	250 x 8	8	M12 x 330	0.103	38.8
400nb	453mm	+/-1.6	200	553	339	250 x 8	8	M12 x 330	0.104	39.1
450nb	457mm	+/-1.6	200	557	339	250 x 8	8	M12 x 330	0.105	39.3
450nb	500mm	+/-1.6	200	600	339	250 x 8	8	M12 x 330	0.122	42.6
450nb	507mm	+/-1.6	200	607	339	250 x 8	10	M12 x 330	0.125	43.8
450nb	508mm	+/-1.6	200	608	339	250 x 8	10	M12 x 330	0.126	44.0
450nb	533mm	+/-1.6	200	633	339	250 x 8	10	M12 x 330	0.136	45.9
450nb	492mm	+/-1.6	200	592	339	250 x 8	8	M12 x 330	0.119	42.0
500nb	500mm	+/-1.6	200	600	339	250 x 8	8	M12 x 330	0.122	42.6
500nb	508mm	+/-1.6	200	608	339	250 x 8	10	M12 x 330	0.126	44.0
500nb	560mm	+/-1.6	200	660	339	250 x 8	10	M12 x 330	0.148	47.9
500nb	545mm	+/-1.6	200	645	339	250 x 8	10	M12 x 330	0.141	46.8
525nb	560mm	+/-1.6	200	660	339	250 x 8	10	M12 x 330	0.148	47.2
525nb	587mm	+/-1.6	200	687	339	250 x 8	10	M12 x 330	0.160	49.9
525nb	572mm	+/-1.6	200	672	339	250 x 8	10	M12 x 330	0.154	48.8
600nb	610mm	+/-1.6	200	710	339	250 x 8	10	M12 x 330	0.171	51.7
600nb	616mm	+/-1.6	200	716	339	250 x 8	10	M12 x 330	0.174	52.2
600nb	630mm	+/-1.6	200	730	339	250 x 8	12	M12 x 330	0.181	53.9
600nb	650mm	+/-1.6	200	750	339	250 x 8	12	M12 x 330	0.191	55.4
600nb	667mm	+/-1.6	200	767	339	250 x 8	12	M12 x 330	0.200	55.7
600nb	699mm	+/-1.6	200	799	339	250 x 8	12	M12 x 330	0.217	59.1
675nb	710mm	+/-1.6	200	810	339	250 x 8	12	M12 x 330	0.223	59.9
675nb	787mm	+/-1.6	200	887	339	250 x 8	12	M12 x 330	0.268	65.8
675nb	747mm	+/-1.6	200	847	339	250 x 8	12	M12 x 330	0.244	62.8
700nb	712mm	+/-1.6	200	812	339	250 x 8	12	M12 x 330	0.224	60.1
750nb	762mm	+/-1.6	200	862	339	250 x 8	12	M12 x 330	0.253	63.9

PIPEMATE COUPLING DIMENSIONAL CHART



750nb	826mm	+/-1.6	200	930	350	250 x 8	14	M12 x 340	0.303	81.9
750nb	870mm	+/-1.6	200	974	350	250 x 8	14	M12 x 340	0.332	85.9
800nb	812mm	+/-1.6	200	916	350	250 x 8	14	M12 x 340	0.294	80.7
900nb	914mm	+/-1.6	200	1018	350	250 x 9	14	M12 x 330	0.363	95.2
900nb	965mm	+/-1.6	200	1069	350	250 x 9	14	M12 x 340	0.400	99.8
900nb	924mm	+/-1.6	200	1028	350	250 x 9	14	M12 x 340	0.370	96.1
900nb	960mm	+/-1.6	200	1064	350	250 x 9	14	M12 x 340	0.396	99.4
900nb	900mm	+/-1.6	200	1004	350	250 x 9	14	M12 x 340	0.353	93.7
900nb	946mm	+/-1.6	200	1050	350	250 x 9	14	M12 x 340	0.386	98.1
1000nb	1026mm	+/-1.6	200	1130	350	250 x 9	14	M12 x 340	0.447	105.4
1000nb	1016mm	+/-1.6	200	1120	350	250 x 9	14	M12 x 340	0.439	104.5
1000nb	1000mm	+/-1.6	200	1104	350	250 x 9	14	M12 x 340	0.427	103.1
1000nb	1029mm	+/-1.6	200	1133	350	250 x 9	14	M12 x 340	0.449	105.7
1100nb	1105mm	+/-1.6	200	1232	365	250 x 12	16	M16 x 355	0.554	138.0
1100nb	1194mm	+/-1.6	200	1321	365	250 x 12	16	M16 x 355	0.637	147.9
1200nb	1229mm	+/-1.6	200	1359	365	250 x 12	18	M16 x 355	0.671	153.2
1200nb	1290mm	+/-1.6	200	1417	365	250 x 12	18	M16 x 355	0.733	160.0
1200nb	1200mm	+/-1.6	200	1327	365	250 x 12	18	M16 x 355	0.643	150.0
1200nb	1270mm	+/-1.6	200	1397	365	250 x 12	18	M16 x 355	0.712	157.8
1200nb	1220mm	+/-1.6	200	1347	365	250 x 12	18	M16 x 355	0.662	152.2
1300nb	1354mm	+/-1.6	200	1481	365	250 x 12	20	M16 x 355	0.801	168.6