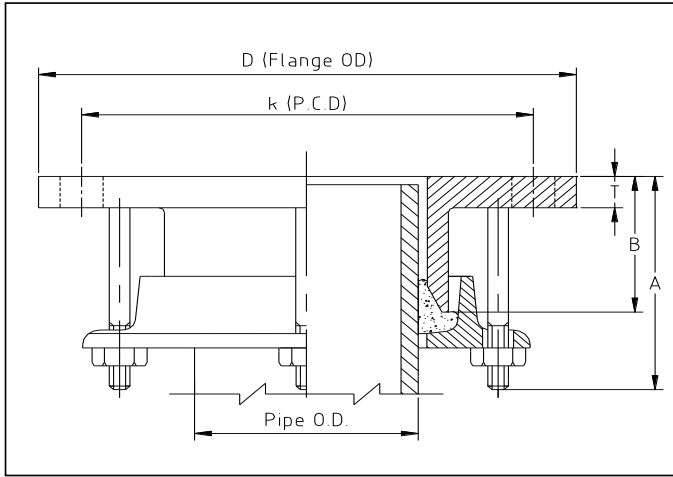


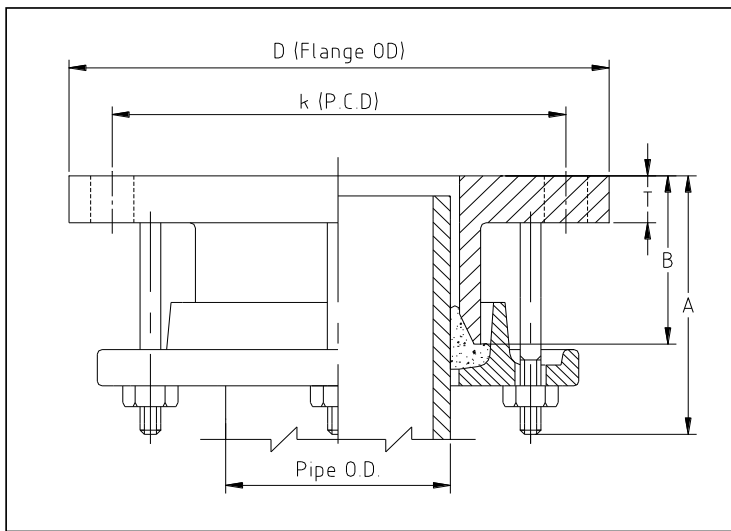
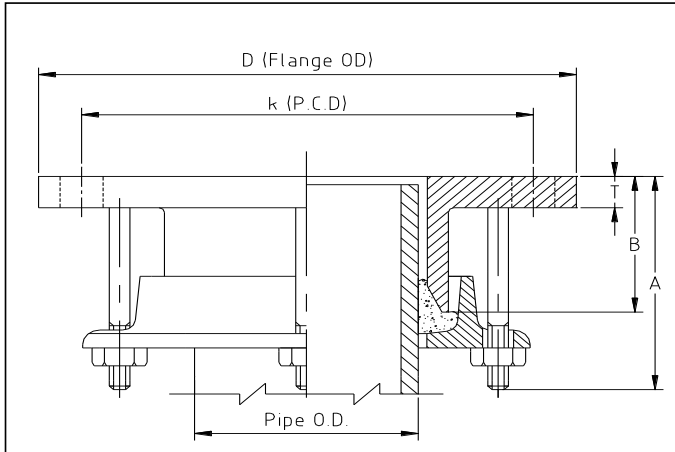
Pipemate Flange Adapters Dimensional Chart AS4087 PN16 Flanging



AS4087 PN16 Flanges

Size NB	Pipe OD	Flange Size	Pressure Rating	D	T	A	B	Bolts Number	Bolt Size	Hole Size	PCD	Studs No	Dia Length	Weight
300nb	324mm	300nb	PN16	455	24	136	90	12	M20	22mm	406	6	1/2"x5 1/4"	23.7
300nb	345mm	300nb	PN16	455	24	136	90	12	M20	22mm	406	6	1/2"x5 1/4"	22.1
300nb	315mm	300nb	PN16	455	24	136	90	12	M20	22mm	406	6	1/2"x5 1/4"	24.3
300nb	334mm	300nb	PN16	455	24	136	90	12	M20	22mm	406	6	1/2"x5 1/4"	23.0
350nb	355mm	350nb	PN16	525	25	160	105	12	M24	26mm	470	6	1/2"x6"	33.1
350nb	399mm	350nb	PN16	525	25	160	105	12	M24	26mm	470	6	1/2"x6"	29.2
375nb	413mm	375nb	PN16	550	25	160	105	12	M24	26mm	495	6	1/2"x6"	32.0
375nb	400mm	375nb	PN16	550	25	160	105	12	M24	26mm	495	6	1/2"x6"	33.3
375nb	426mm	375nb	PN16	550	25	160	105	12	M24	26mm	495	6	1/2"x6"	30.6
400nb	406mm	400nb	PN16	580	25	160	105	12	M24	26mm	521	6	1/2"x6"	37.9
400nb	450mm	400nb	PN16	580	25	160	105	12	M24	26mm	521	12	1/2"x6"	34.1
400nb	453mm	400nb	PN16	580	25	160	105	12	M24	26mm	521	12	1/2"x6"	33.8
450nb	457mm	450nb	PN16	640	25	160	105	12	M24	26mm	584	12	1/2"x6"	43.8
450nb	500mm	450nb	PN16	640	25	160	105	12	M24	26mm	584	12	1/2"x6"	38.6
450nb	507mm	450nb	PN16	640	25	160	105	12	M24	26mm	584	12	1/2"x6"	37.7
450nb	508mm	450nb	PN16	640	25	160	105	12	M24	26mm	584	12	1/2"x6"	37.6
450nb	492mm	450nb	PN16	640	25	160	105	12	M24	26mm	584	12	1/2"x6"	39.6
500nb	500mm	500nb	PN16	705	25	160	105	16	M24	26mm	641	8	1/2"x6"	52.0
500nb	508mm	500nb	PN16	705	25	160	105	16	M24	26mm	641	8	1/2"x6"	51.0
500nb	560mm	500nb	PN16	705	25	160	105	16	M24	26mm	641	8	1/2"x6"	43.8
500nb	545mm	500nb	PN16	705	25	160	105	16	M24	26mm	641	8	1/2"x6"	46.0
600nb	610mm	600nb	PN16	825	25	160	105	16	M27	30mm	756	16	1/2"x6"	65.1
600nb	616mm	600nb	PN16	825	25	160	105	16	M27	30mm	756	16	1/2"x6"	64.1
600nb	630mm	600nb	PN16	825	25	160	105	16	M27	30mm	756	16	1/2"x6"	61.8
600nb	650mm	600nb	PN16	825	25	160	105	16	M27	30mm	756	16	1/2"x6"	58.4
600nb	667mm	600nb	PN16	825	25	160	105	16	M27	30mm	756	16	1/2"x6"	55.4
700nb	712mm	700nb	PN16	910	25	160	105	20	M27	30mm	845	10	5/8"x6"	71.9

Pipemate Flange Adapters Dimensional Chart AS4087 PN16 Flanging



750nb	762mm	750nb	PN16	995	25	160	105	20	M30	33mm	927	10	5/8"x6"	86.6
750nb	826mm	750nb	PN16	995	25	160	105	20	M30	33mm	927	10	5/8"x6"	72.9
800nb	812mm	800nb	PN16	1060	25	160	105	20	M33	36mm	984	10	5/8"x6"	96.0
900nb	914mm	900nb	PN16	1175	25	170	115	24	M33	36mm	1092	12	5/8"x6 1/2"	115.3
900nb	965mm	900nb	PN16	1175	25	170	115	24	M33	36mm	1092	12	5/8"x6 1/2"	102.3
900nb	924mm	900nb	PN16	1175	25	170	115	24	M33	36mm	1092	12	5/8"x6 1/2"	112.8
900nb	960mm	900nb	PN16	1175	25	170	115	24	M33	36mm	1092	12	5/8"x6 1/2"	103.1
900nb	900mm	900nb	PN16	1175	25	170	115	24	M33	36mm	1092	12	5/8"x6 1/2"	118.7
1000nb	1026mm	1000nb	PN16	1253	25	170	115	24	M33	36mm	1175	24	5/8"x6 1/2"	117.6
1000nb	1016mm	1000nb	PN16	1253	25	170	115	24	M33	36mm	1175	24	5/8"x6 1/2"	120.4
1000nb	1000mm	1000nb	PN16	1253	25	170	115	24	M33	36mm	1175	24	5/8"x6 1/2"	124.8
1000nb	1029mm	1000nb	PN16	1253	25	170	115	24	M33	36mm	1175	24	5/8"x6 1/2"	116.8
1200nb	1229mm	1200nb	PN16	1490	38	185	125	32	M33	36mm	1410	16	5/8"x6 3/4"	222.0
1200nb	1290mm	1200nb	PN16	1490	38	185	125	32	M33	36mm	1410	16	5/8"x6 3/4"	189.1
1200nb	1200mm	1200nb	PN16	1490	38	185	125	32	M33	36mm	1410	16	5/8"x6 3/4"	237.1
1200nb	1270mm	1200nb	PN16	1490	38	185	125	32	M33	36mm	1410	16	5/8"x6 3/4"	200.1
1200nb	1220mm	1200nb	PN16	1490	38	185	125	32	M33	36mm	1410	16	5/8"x6 3/4"	226.8

Specification

- A) End Flange and Centre Sleeve **Rolled Steel To BS EN 1025 S275 (BS4360 Grade 43A) or Equivalent**
- B) Finishing **Fusion Bonded Epoxy Coating 350microns**
- C) Bolts & Nuts **Stainless Steel 316 or Galvanized FBE Coated Bolts and Nuts**
- D) Sealing Ring **EPDM or NBR to BS EN681-1 1996 Type WA**
- E) Working Pressure **16 Bar Test Pressure 24bar**