

PIPEMATE

WEDGE GATE VALVES DN 400 - DN 1200

SOLE NZ AGENT
JTM PRODUCTS & SERVICES LTD
14 A BLACK ROCK ROAD
NEWLANDS
WELLINGTON

PH: 64-27-6723699 FAX: 64-4-9733782
EMAIL victorh@paradise.net.nz

INTRODUCTION

Model BZ Gate Valves are produced in accordance with BS 5163 Type 'B' "Cast Iron Gate Valves for waterworks purposes" for sizes up to and including 600mm and BS5150 "Cast Iron Gate Valves" which cover up to and including 1000mm. Above this sizes, valves are generally accordance with BS5150, other standards include JIS, AWWA and ISO are also available.

BASIC OF STRUCTURE DESIGN

All parts, including the body and bonnet, are so proportioned that, if excessive torque is applied to the stem in the closing direction with the valves disk seated and subjected to working water pressure, failure of the valve body or bonnet shall not occurred.

RESISTANCE TO STRESS

All parts are designed to withstand the combined stress resulting from the full rated internal working pressure when the wedge is moved across the seats, under full unbalanced working water pressure from the fully closed position to the point of opening, thence to complete closure.

BY-PASS VALVES

By-pass valves may be specified for valves size 600mm and above.

OPERATION MECHANISMS

Handwheel-Remote operation with extension spindle.

Manual gearing system or electric, hydraulic or pneumatic actuators.

Closing may be specified by clockwise or anti-clockwise operation.

It is strongly recommended that all valves over 400mm be fitted with a gearbox to assist valve opening particularly in the presence of large differential pressures.

MANUFACTURING PROCEDURES

Quality Assurance Procedures conform to ISO 9001 : 1994

CORROSION PROTECTION

Valves are shot blasted and coated standard with epoxy. Other coatings will be available upon request.

100% TESTING

Pressure Test To :

Body : 1.5 x PN

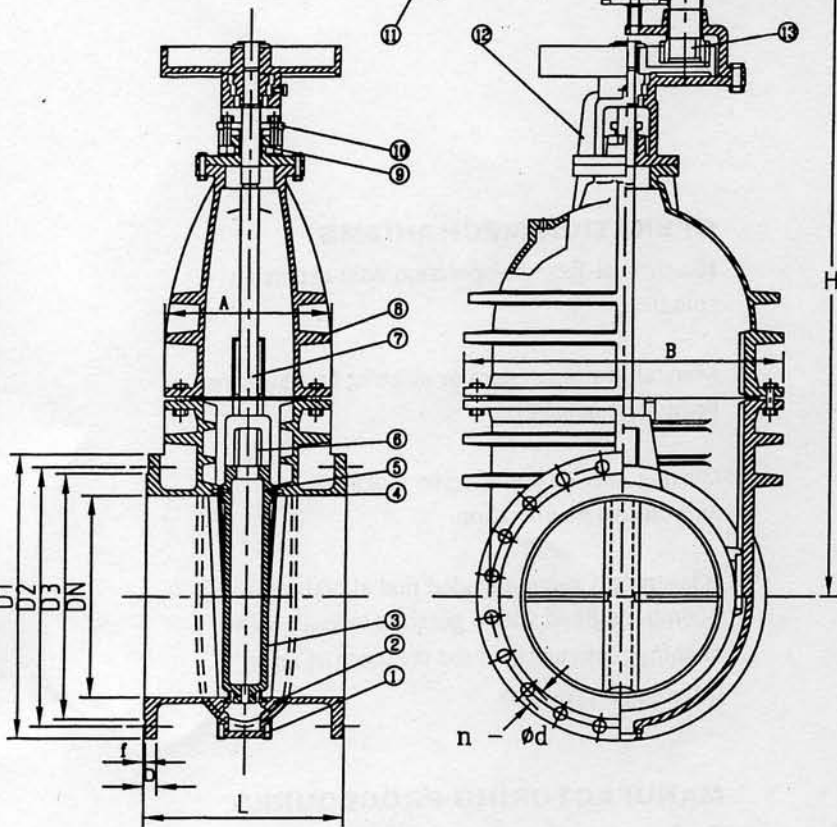
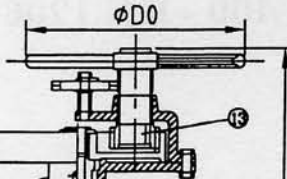
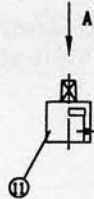
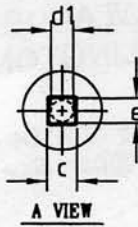
Seat : 1.1 x PN

OTHER MATERIALS

Valve to other materials and specifications will be considered on request.



PIPEMATE VALVE



SPECIFICATION		
Nominal Pressure	16 bars	
Suitable Medium	Water	
Test Pressure	Body	24 bars
	Seat	17.6 bars
Working Pressure	16 bars	
Temperature	< 80 deg C	

Technical Requirement

- Design of valve is according to BS 5163 :1986 Type B & BS 5150 : 1984
- Flange size is according to BS 4504 :Sect 3.2 1989 PN 16

Item	Parts	Materials	Standard
1	Cleaning Cover	Cast Iron	CI220
2	Body	Ductile Iron	SG500/7
3	Disk	Ductile Iron	SG500/7
4	Disk Sealing Ring	Copper Alloy	LG2 1400
5	Body Sealing Ring	Copper Alloy	LG2 1400
6	Stem Nut	Copper Alloy	LG2 1400
7	Stem	Stainless Steel	431 S29
8	Bonnet	Ductile Iron	SG500/7
9	Packing	EPDM	
10	Gland	Cast Iron	CI220
11	Square Head	Ductile Iron	SG500/7
12	Actuating Support	Ductile Iron	SG500/7
13	Spur Gear Actuator		

DN	PN	D1	D2	D3	b	f	n-ød	L	H	A	B	D0	d1	d2	c	e
400	16	580	525	480	28	4	16-31	406	1490	370	680	500	55	51	48	40
450	16	640	585	548	30	4	20-31	432	1570	385	750	500	55	51	48	40
500	16	715	650	595	31.5	5	20-34	457	1625	400	790	500	55	51	48	40
600	16	840	770	720	36	5	20-37	508	1805	461	930	720	55	51	48	40
700	16	910	840	794	39.5	5	24-37	610	1734	484	1024	*	55	51	48	40
800	16	1075	950	901	43	5	24-40	660	2107	585	1180	*	55	51	48	40
900	16	1125	1050	1001	46.5	5	28-40	711	2140	610	1300	*	55	51	48	40
1000	16	1255	1170	1112	50	5	28-43	811	*	*	*	*	*	*	*	*
1200	16	1485	1390	1328	57	5	33-49	838	*	*	*	*	*	*	*	*

* Dimensions On Application

PIPEMATE SDN BHD

No: 28,(Lot 17512), Jalan Dua, Kawasan Perindustrian Selayang,
Tmn. Selayang Baru, 68100 Selangor Darul Ehsan, Malaysia.

Tel : 603-61380977,61388667 Fax : 603-61388772 e-mail : pipemate@tm.net.my

All information in this brochure was correct to the best of our knowledge when originally printed. Pipemate reserves the right to make changes without notice to product specifications and manufacture processes given the company's policy of continual product improvement.