

PIPEMATE RUBBER FLAP CHECK VALVE

To BS EN 12334, PN10 & PN16, DN50-DN300

FUSION BONDED EPOXY(FBE) COATED

INTRODUCTION

The Rubber Flap Check Valve is applied to the horizontal pipeline or the vertical pipeline in which medium flow runs upwards. The backward flowing is effectively stopped. The rubber flap check valve could be widely used in water-supply and drain system.



ADVANTAGE

- * To keep medium pure, the disc is encapsulated with NBR/EPDM/FPM rubber.
- * The rubber lined is reinforced with nylon fabrics to increase the operation life of disc.
- * The reasonable open limit and cavity space enable the obtaining of maximum area of flow section. The flow resistance is comparably small and the valve parameter Cv is improved.
- * The reliable open limit can improve the operation life of disc.
- * Fusion Bonded Epoxy (FBE) coated internally and externally.



PIPEMATE SDN.BHD. (106977-A)

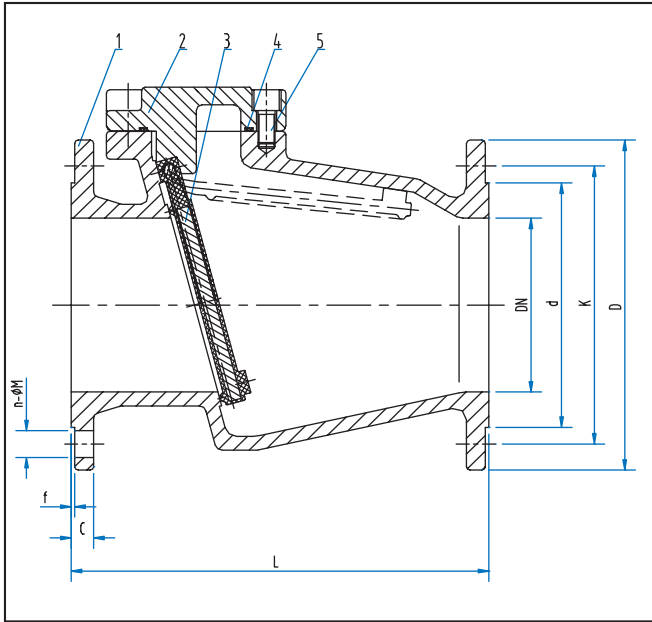
No.28, (Lot 17512), Jalan Dua, Kawasan Perindustrian Selayang,
Taman Selayang Baru, 68100, Selangor Darul Ehsan, Malaysia.
Tel: 603-61380977, 61388667 Fax: 603-61388772 e-mail: pipemate@tm.net.my





RUBBER FLAP CHECK VALVE TO BS EN 12334

DN 50 TO DN 300 FUSION BONDED EPOXY (FBE) COATED



Test Pressure

Nominal Diameter	DN 50 - 300mm	
Nominal Pressure	16 Bar	10 Bar
Body Testing	24 Bar	15 Bar
Seat Testing	17.6 Bar	11 Bar

Material Specification

No	Component	Material
1	Body	Ductile Iron BS EN 1563 Grade 500/7 with internal and external FBE coating
2	Cover	
3	Disc	Ductile Iron BS EN 1563 Grade 500/7 bonded with NBR/EPDM reinforced with nylon fabrics
4	Gasket	NBR/EPDM
5	Bolt	Nickel plated steel

Face To Face Dimensions : BS EN 558-1
Series 10 & 48

Working Temperature :
NBR ≤ 80¼ C
EPDM ≤ 120¼ C
FPM ≤ 160¼ C

Flange : To BS EN 1092-2 PN10 & PN16
or to customers requirements

DIMENSIONS 'mm'

DN	Connection Flanges To BS EN 1092-2												Face To Face Dimensions L	
	PN10						PN16						Series 10	Series 48
	D	K	d	f	C	n-øM	D	K	d	f	C	n-øM		
300	445	400	370	4	24.5	12-ø23	460	410	370	4	24.5	12-ø28	698	700
250	395	350	319	3	22	12-ø23	405	355	319	3	22	12-ø28	622	600
200	340	295	266	3	20	8-ø23	340	295	266	3	20	12-ø23	495	500
150	285	240	211	3	19	8-ø23	285	240	211	3	19	8-ø23	356	400
125	250	210	184	3	19	8-ø19	250	210	184	3	19	8-ø19	330	350
100	220	180	156	3	19	8-ø19	220	180	156	3	19	8-ø19	292	300
80	200	160	132	3	19	8-ø19	200	160	132	3	19	8-ø19	241	260
65	185	145	118	3	19	4-ø19	185	145	118	3	19	4-ø19	216	240
50	165	125	99	3	19	4-ø19	165	125	99	3	19	4-ø19	203	200

PIPEMATE SDN BHD (106977-A)

No 28 (Lot 17512) Jalan Dua, Kws Perindustrian Selayang
Taman Selayang Baru, 68100 Selangor D.E., Malaysia
Tel: 603-61380977, 61388667, 61387211
Fax: 603-61388772 email: pipemate@tm.net.my

All information in this brochure was correct to the best of our knowledge when originally printed. Pipemate reserves the right to make changes without notice to product specifications and manufacture processes given the company's policy of continual product improvement.